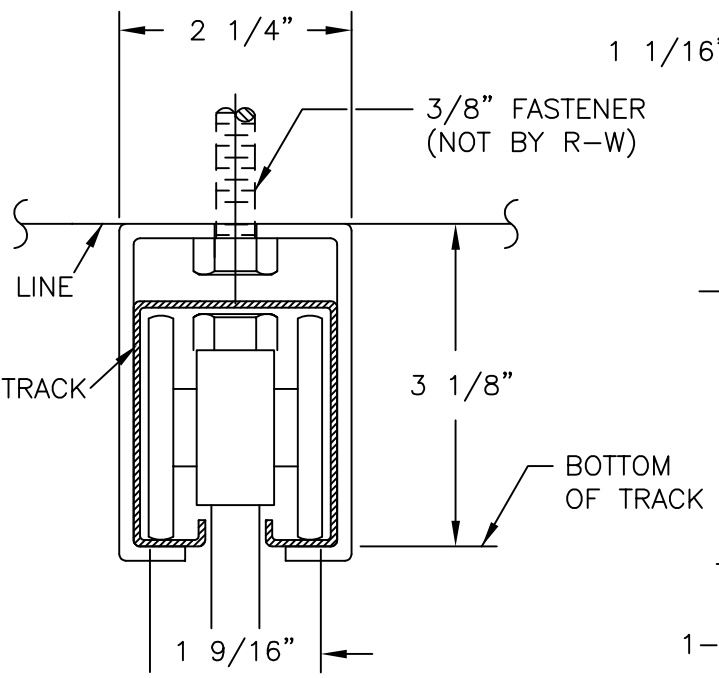
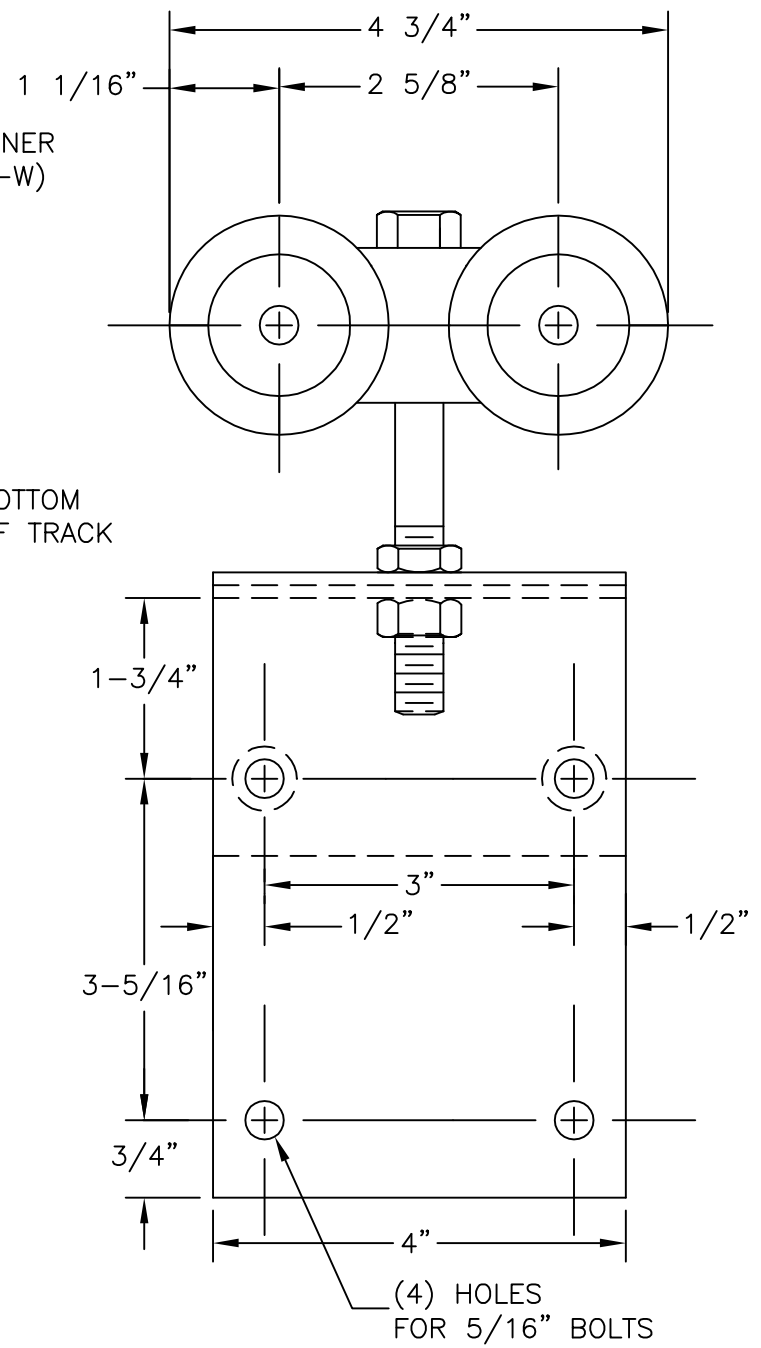


STANDARD HEAD SECTION  
USING SIDEWALL BRACKET



STANDARD HEAD SECTION  
USING OVERHEAD BRACKET



NOTE: SOME INSTALLATIONS MAY REQUIRE  
BRACKET SHIMS TO PROPERLY ALIGN  
THE TRACK.